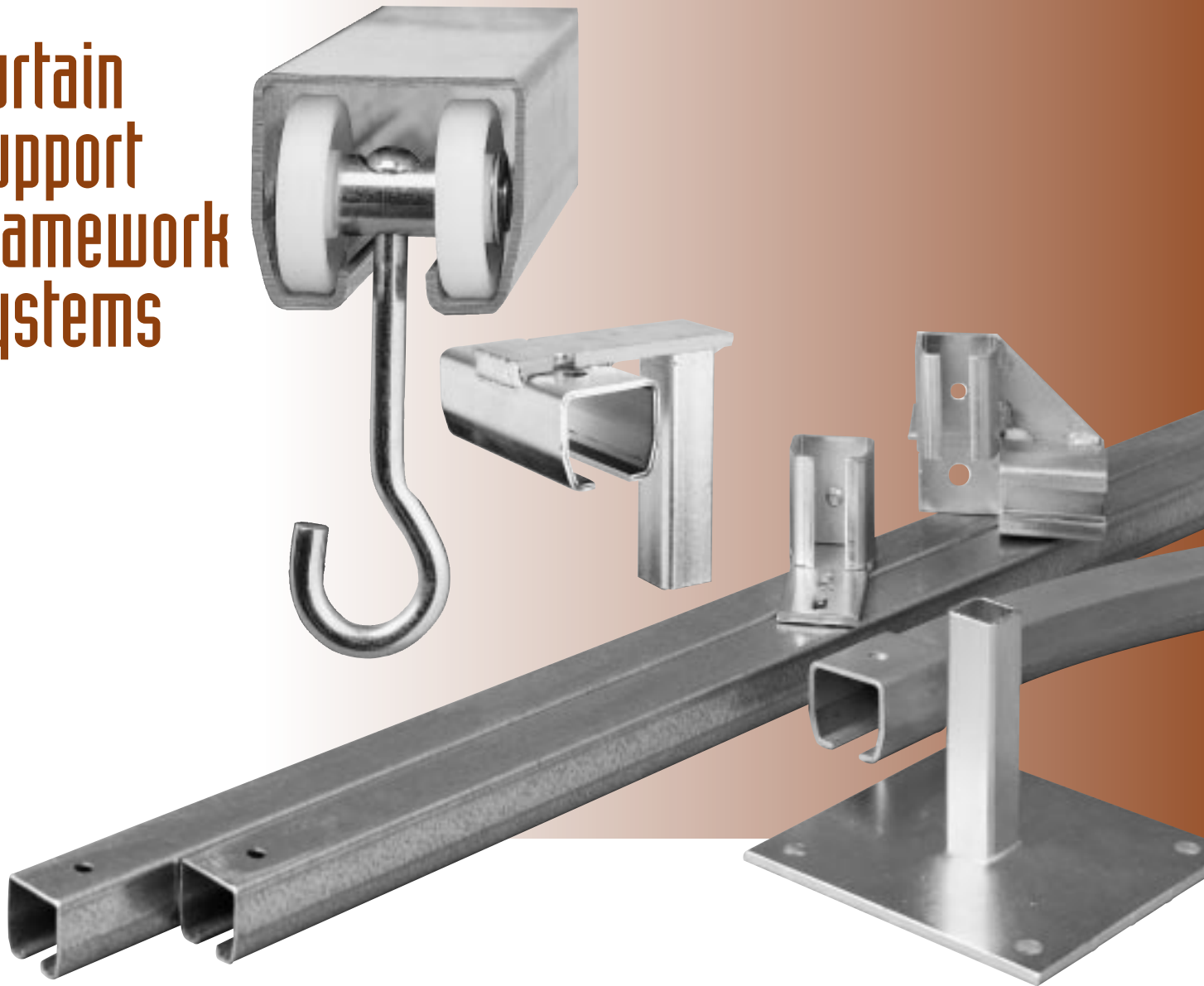


## Curtain Support Framework Systems

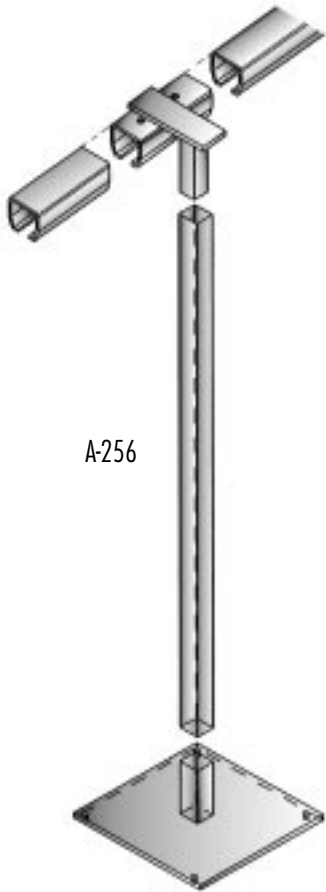


### FEATURES:

- ◆ Designed for installation of Acoustical Curtain Enclosures
- ◆ Floor, suspended, ceiling, beam and wall mounted systems
- ◆ Heavy-Duty structural steel systems available
- ◆ Double track systems allow for slide-open access
- ◆ CAD drawings provided for easy and accurate installation

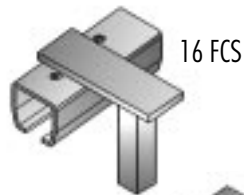
## Floor Mounted Systems

- ◆ Designed to create a free-standing Acoustical Curtain Enclosure



A-256

16 BS (12")



16 FCS



16 FACS-DBL-2



16 FCS-DBL



16 FACS



16 CC-HD



16 CC-HD DBL

### Two Types of Floor Bases

- ◆ 12" square, 1/4" thick steel plate
- ◆ 6" square, 3/16" thick steel plate

### Floor columns 1 1/4" square, 12 gauge steel tube

- ◆ Telescopes over tubes on bases and connectors
- ◆ Heights up to 12 feet

### Floor Mount Track Connectors

- ◆ 12 gauge, zinc plated
- ◆ Corner, middle, curved connectors
- ◆ Single track or double track systems

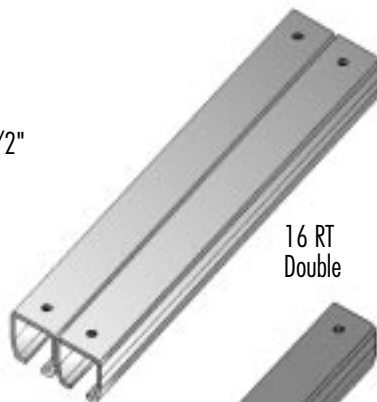
**Easy to assemble, enlarge, disassemble and relocate**



16 NR-1 1/2"

## Roller Track and Roller Hooks

- ◆ For all types of systems-floor, suspended, ceiling, wall mounted or "H-D"
- ◆ 16 gauge hot dipped galvanized steel
- ◆ Single or double track
- ◆ Track slides inside any track connector
- ◆ Curved track: two-foot radius, 90° single or double
- ◆ Accepts 16 NR-1 1/2 (nylon rollers) and 16 SR-1 (steel rollers)
- ◆ Two-wheel rollers ride inside 16 RT roller track
- ◆ 16 ES end stops



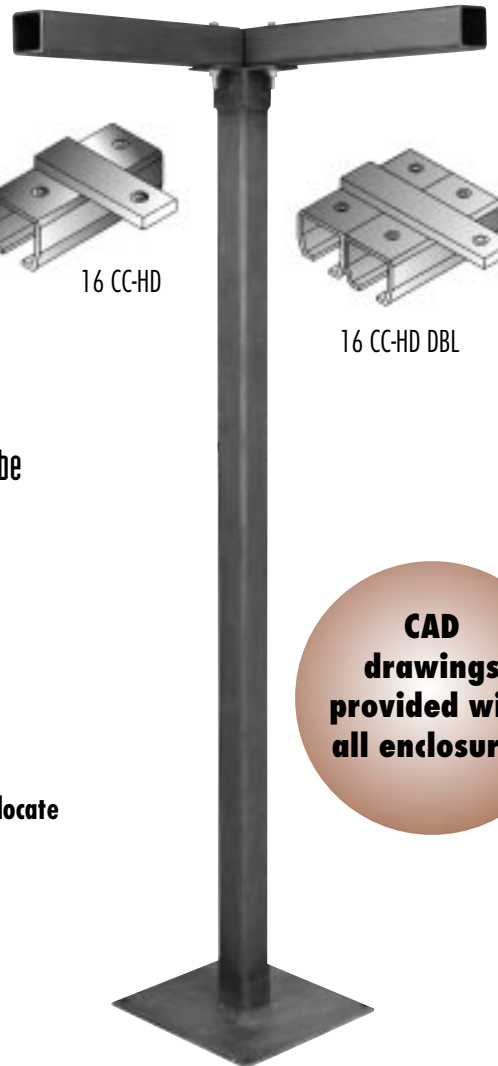
16 RT  
Double



16 RT



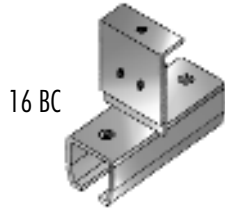
16 ES



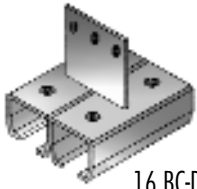
**CAD  
drawings  
provided with  
all enclosures**

## Heavy Duty Systems

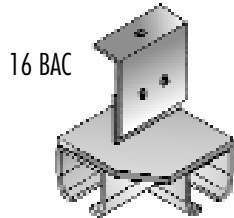
- ◆ For large or tall Acoustical Curtain Enclosures
- ◆ Greater spans between columns
- ◆ 2 1/2" square steel tube, 3/16" thick
- ◆ Durable Painted finish
- ◆ Floor base, column and cross-beam connector angle all welded construction
- ◆ Curtain panels can be bolted to cross beams or suspended from 16 RT track



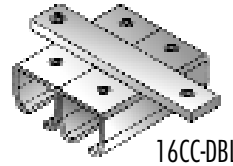
16 BC



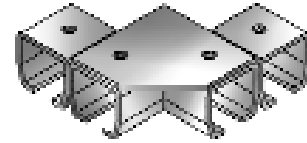
16 BC-DBL



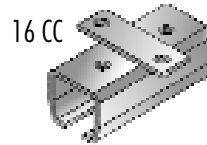
16 BAC



16CC-DBL



16 CAC-DBL-1



16 CC

### Suspended Systems

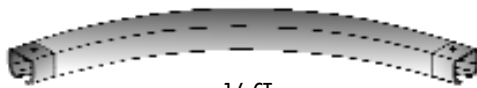
- ◆ 12 gauge, zinc plated
- ◆ Accepts up to 1/2" diameter threaded rod
- ◆ Corner, middle and curved connectors
- ◆ Single or double track systems
- ◆ Also utilized to attach to I-beams
- ◆ Economic method of installing Acoustical Curtain Systems

### Ceiling Mounted System

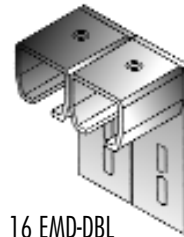
- ◆ 12 gauge, zinc plated
- ◆ Corner, middle and curved connectors
- ◆ Single or double track systems
- ◆ Economic method of installing Acoustical Curtain Systems

### Wall Mounted Systems

- ◆ 12 gauge, zinc plated
- ◆ End or flush mounted connectors
- ◆ Single or double track systems
- ◆ Often used in conjunction with floor mounted or suspended systems

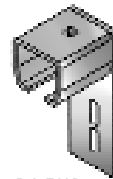


16 CT

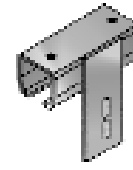


16 EMD-DBL

- ◆ Curved track allows for maximum accessibility
- ◆ Available for floor, suspended, ceiling or wall mounted systems
- ◆ Single or double



16 EMD



16 WMD



16 WMU

### Stationary Clear Vinyl Strip Door Hardware

- ◆ Available in three styles: wall mount, header mount or universal mount

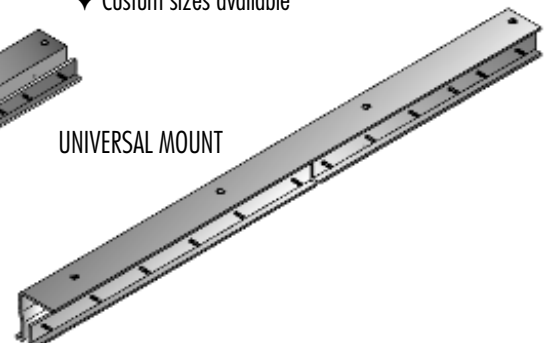
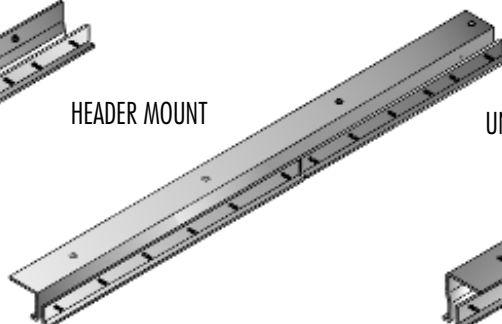
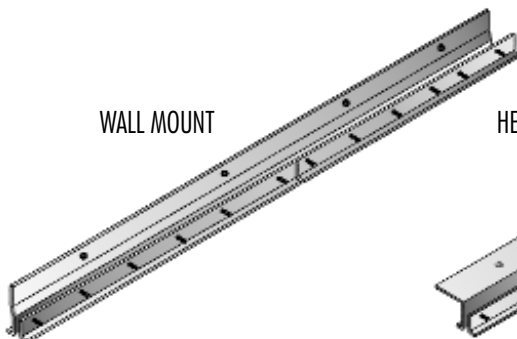
- ◆ Includes one-inch studs 2" on center, clamping plates and lock nuts

- ◆ Galvanized steel, aluminum or stainless steel
- ◆ 8' or 10' lengths
- ◆ Custom sizes available

WALL MOUNT

HEADER MOUNT

UNIVERSAL MOUNT



## Heavy Duty Frame Systems

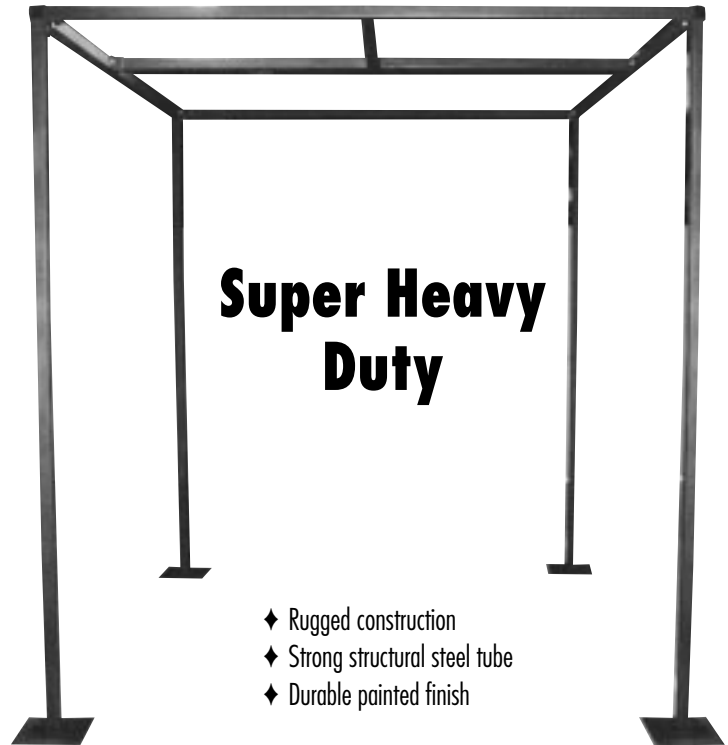
- ◆ For large or tall enclosures
- ◆ For greater spans between columns
- ◆ Custom sized for any application



- ◆ Panels may be bolted directly to frame, (photo above) or installed on sliding double track for maximum access (photo below)



- ◆ Utilizes any style of Barricade Acoustical Curtain Panels
- ◆ 2 1/2" square steel tube framework easily supports roof systems as well as roof top ventilation baffles
- ◆ Shipped knock down with CAD drawing provided for easy installation



Distributed By



50 H. P. Almgren Drive  
Agawam, MA 01001  
TEL: 413.789.1770  
FAX: 413.789.2248  
e-mail: [sales@soundseal.com](mailto:sales@soundseal.com)  
[www.soundseal.com](http://www.soundseal.com)